

CODE	AC	AL CONE Type
	C	CONE Type
	S	WAFER CUP Type
	SC	SMALL CUP Type
	FP	FAMILY PACK Type
	GP	GASTRO PACK Type
	T	TARTUFO Type
	xx	Volume in ml

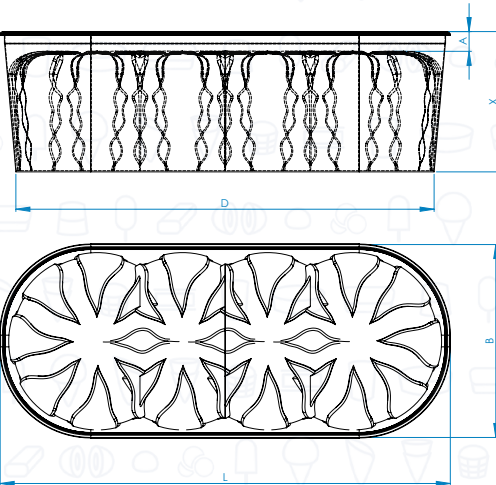
PRICE CODE	-	A/B/C/D/E
------------	---	-----------

PARAMETERS	A	Ice-cream fulfillment
	B	Cup width
	D	Cup bottom length
	L	Cup length
	X	Cup height

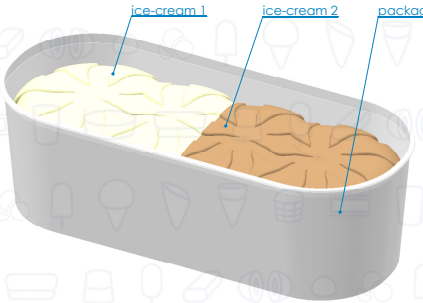
\*other dimensions refer to product type

EXECUTION	1C	One color filling
	2C	Two colors SBS filling
	2CC	Two colors CROSS filling
	3C	Three colors filling
	TP	Filling with topping
	RT	Rotary IceCream/Topink
	RI	Rotary IceCream/IceCream

Code:	GP-0005-xx	A/B/C/D/E
-------	------------	-----------



Product Dimensions	
A (mm)	20
B (mm)	165
D (mm)	360
L (mm)	390
X (mm)	120
Ice-cream Distribution	
No. of colors	2
Ice-cream 1 (ml)	2500
Ice-cream 2 (ml)	2500
Total volume (ml)	5000



Code:	GP-0001-5000	A	Code:	GP-0002-5000	B	Code:	GP-0003-5000	B																																																													
Filling:	Extruded - 1 color		Filling:	Extruded - 2 colors		Filling:	Extruded - 2 colors cross																																																														
<table border="1"> <thead> <tr> <th colspan="2">Product Dimensions</th> </tr> </thead> <tbody> <tr><td>A (mm)</td><td>20</td></tr> <tr><td>B (mm)</td><td>145</td></tr> <tr><td>C (mm)</td><td>340</td></tr> <tr><td>L (mm)</td><td>390</td></tr> <tr><td>X (mm)</td><td>120</td></tr> </tbody> </table> <table border="1"> <thead> <tr> <th colspan="2">Ice-cream Distribution</th> </tr> </thead> <tbody> <tr><td>No. of colors</td><td>1</td></tr> <tr><td>Ice-cream 1 (ml)</td><td>5000</td></tr> <tr><td>Total volume (ml)</td><td>5000</td></tr> </tbody> </table>		Product Dimensions		A (mm)	20	B (mm)	145	C (mm)	340	L (mm)	390	X (mm)	120	Ice-cream Distribution		No. of colors	1	Ice-cream 1 (ml)	5000	Total volume (ml)	5000	<table border="1"> <thead> <tr> <th colspan="2">Product Dimensions</th> </tr> </thead> <tbody> <tr><td>A (mm)</td><td>20</td></tr> <tr><td>B (mm)</td><td>145</td></tr> <tr><td>C (mm)</td><td>340</td></tr> <tr><td>L (mm)</td><td>390</td></tr> <tr><td>X (mm)</td><td>120</td></tr> </tbody> </table> <table border="1"> <thead> <tr> <th colspan="2">Ice-cream Distribution</th> </tr> </thead> <tbody> <tr><td>No. of colors</td><td>2</td></tr> <tr><td>Ice-cream 1 (ml)</td><td>2500</td></tr> <tr><td>Ice-cream 2 (ml)</td><td>2500</td></tr> <tr><td>Total volume (ml)</td><td>5000</td></tr> </tbody> </table>		Product Dimensions		A (mm)	20	B (mm)	145	C (mm)	340	L (mm)	390	X (mm)	120	Ice-cream Distribution		No. of colors	2	Ice-cream 1 (ml)	2500	Ice-cream 2 (ml)	2500	Total volume (ml)	5000	<table border="1"> <thead> <tr> <th colspan="2">Product Dimensions</th> </tr> </thead> <tbody> <tr><td>A (mm)</td><td>20</td></tr> <tr><td>B (mm)</td><td>145</td></tr> <tr><td>C (mm)</td><td>340</td></tr> <tr><td>L (mm)</td><td>390</td></tr> <tr><td>X (mm)</td><td>120</td></tr> </tbody> </table> <table border="1"> <thead> <tr> <th colspan="2">Ice-cream Distribution</th> </tr> </thead> <tbody> <tr><td>No. of colors</td><td>2</td></tr> <tr><td>Ice-cream 1 (ml)</td><td>2500</td></tr> <tr><td>Ice-cream 2 (ml)</td><td>2500</td></tr> <tr><td>Total volume (ml)</td><td>5000</td></tr> </tbody> </table>		Product Dimensions		A (mm)	20	B (mm)	145	C (mm)	340	L (mm)	390	X (mm)	120	Ice-cream Distribution		No. of colors	2	Ice-cream 1 (ml)	2500	Ice-cream 2 (ml)	2500	Total volume (ml)	5000
Product Dimensions																																																																					
A (mm)	20																																																																				
B (mm)	145																																																																				
C (mm)	340																																																																				
L (mm)	390																																																																				
X (mm)	120																																																																				
Ice-cream Distribution																																																																					
No. of colors	1																																																																				
Ice-cream 1 (ml)	5000																																																																				
Total volume (ml)	5000																																																																				
Product Dimensions																																																																					
A (mm)	20																																																																				
B (mm)	145																																																																				
C (mm)	340																																																																				
L (mm)	390																																																																				
X (mm)	120																																																																				
Ice-cream Distribution																																																																					
No. of colors	2																																																																				
Ice-cream 1 (ml)	2500																																																																				
Ice-cream 2 (ml)	2500																																																																				
Total volume (ml)	5000																																																																				
Product Dimensions																																																																					
A (mm)	20																																																																				
B (mm)	145																																																																				
C (mm)	340																																																																				
L (mm)	390																																																																				
X (mm)	120																																																																				
Ice-cream Distribution																																																																					
No. of colors	2																																																																				
Ice-cream 1 (ml)	2500																																																																				
Ice-cream 2 (ml)	2500																																																																				
Total volume (ml)	5000																																																																				
Code:	GP-0004-5000	C	Code:	GP-0005-5000	D	Code:	GP-0006-5000	E																																																													
Filling:	Filled - 1 color - 4 rossets		Filling:	Filled - 2 colors - 4 rossets		Filling:	Filled - 1 color - 3D robot																																																														
<table border="1"> <thead> <tr> <th colspan="2">Product Dimensions</th> </tr> </thead> <tbody> <tr><td>A (mm)</td><td>20</td></tr> <tr><td>B (mm)</td><td>145</td></tr> <tr><td>C (mm)</td><td>340</td></tr> <tr><td>L (mm)</td><td>390</td></tr> <tr><td>X (mm)</td><td>120</td></tr> </tbody> </table> <table border="1"> <thead> <tr> <th colspan="2">Ice-cream Distribution</th> </tr> </thead> <tbody> <tr><td>No. of colors</td><td>1</td></tr> <tr><td>Ice-cream 1 (ml)</td><td>5000</td></tr> <tr><td>Total volume (ml)</td><td>5000</td></tr> </tbody> </table>		Product Dimensions		A (mm)	20	B (mm)	145	C (mm)	340	L (mm)	390	X (mm)	120	Ice-cream Distribution		No. of colors	1	Ice-cream 1 (ml)	5000	Total volume (ml)	5000	<table border="1"> <thead> <tr> <th colspan="2">Product Dimensions</th> </tr> </thead> <tbody> <tr><td>A (mm)</td><td>20</td></tr> <tr><td>B (mm)</td><td>145</td></tr> <tr><td>C (mm)</td><td>340</td></tr> <tr><td>L (mm)</td><td>390</td></tr> <tr><td>X (mm)</td><td>120</td></tr> </tbody> </table> <table border="1"> <thead> <tr> <th colspan="2">Ice-cream Distribution</th> </tr> </thead> <tbody> <tr><td>No. of colors</td><td>2</td></tr> <tr><td>Ice-cream 1 (ml)</td><td>2500</td></tr> <tr><td>Ice-cream 2 (ml)</td><td>2500</td></tr> <tr><td>Total volume (ml)</td><td>5000</td></tr> </tbody> </table>		Product Dimensions		A (mm)	20	B (mm)	145	C (mm)	340	L (mm)	390	X (mm)	120	Ice-cream Distribution		No. of colors	2	Ice-cream 1 (ml)	2500	Ice-cream 2 (ml)	2500	Total volume (ml)	5000	<table border="1"> <thead> <tr> <th colspan="2">Product Dimensions</th> </tr> </thead> <tbody> <tr><td>A (mm)</td><td>20</td></tr> <tr><td>B (mm)</td><td>145</td></tr> <tr><td>C (mm)</td><td>340</td></tr> <tr><td>L (mm)</td><td>390</td></tr> <tr><td>X (mm)</td><td>120</td></tr> </tbody> </table> <table border="1"> <thead> <tr> <th colspan="2">Ice-cream Distribution</th> </tr> </thead> <tbody> <tr><td>No. of colors</td><td>1</td></tr> <tr><td>Ice-cream 1 (ml)</td><td>5000</td></tr> <tr><td>Total volume (ml)</td><td>5000</td></tr> </tbody> </table>		Product Dimensions		A (mm)	20	B (mm)	145	C (mm)	340	L (mm)	390	X (mm)	120	Ice-cream Distribution		No. of colors	1	Ice-cream 1 (ml)	5000	Total volume (ml)	5000		
Product Dimensions																																																																					
A (mm)	20																																																																				
B (mm)	145																																																																				
C (mm)	340																																																																				
L (mm)	390																																																																				
X (mm)	120																																																																				
Ice-cream Distribution																																																																					
No. of colors	1																																																																				
Ice-cream 1 (ml)	5000																																																																				
Total volume (ml)	5000																																																																				
Product Dimensions																																																																					
A (mm)	20																																																																				
B (mm)	145																																																																				
C (mm)	340																																																																				
L (mm)	390																																																																				
X (mm)	120																																																																				
Ice-cream Distribution																																																																					
No. of colors	2																																																																				
Ice-cream 1 (ml)	2500																																																																				
Ice-cream 2 (ml)	2500																																																																				
Total volume (ml)	5000																																																																				
Product Dimensions																																																																					
A (mm)	20																																																																				
B (mm)	145																																																																				
C (mm)	340																																																																				
L (mm)	390																																																																				
X (mm)	120																																																																				
Ice-cream Distribution																																																																					
No. of colors	1																																																																				
Ice-cream 1 (ml)	5000																																																																				
Total volume (ml)	5000																																																																				

\* other product shapes on request

Code:	GP-0010-5000	E	Code:	GP-0011-2500	E	Code:	GP-0012-5000	C																																																							
Filling:	Filled - 1 color - 3D robot		Filling:	Filled - 1 color - 3D robot		Filling:	Filled - 1 color - 4 rossets																																																								
<table border="1"> <thead> <tr><th colspan="2">Product Dimensions</th></tr> </thead> <tbody> <tr><td>A (mm)</td><td>140</td></tr> <tr><td>B (mm)</td><td>180</td></tr> <tr><td>C (mm)</td><td>100</td></tr> <tr><td>L (mm)</td><td>330</td></tr> <tr><td>L1 (mm)</td><td>130</td></tr> </tbody> </table> <table border="1"> <thead> <tr><th colspan="2">Ice-cream Distribution</th></tr> </thead> <tbody> <tr><td>No. of rossets</td><td>1</td></tr> <tr><td>Ice-cream 1 (ml)</td><td>5000</td></tr> <tr><td>Total volume (ml)</td><td>5000</td></tr> </tbody> </table>		Product Dimensions		A (mm)	140	B (mm)	180	C (mm)	100	L (mm)	330	L1 (mm)	130	Ice-cream Distribution		No. of rossets	1	Ice-cream 1 (ml)	5000	Total volume (ml)	5000	<table border="1"> <thead> <tr><th colspan="2">Product Dimensions</th></tr> </thead> <tbody> <tr><td>A (mm)</td><td>140</td></tr> <tr><td>B (mm)</td><td>165</td></tr> <tr><td>C (mm)</td><td>140</td></tr> <tr><td>L (mm)</td><td>175</td></tr> <tr><td>L1 (mm)</td><td>128</td></tr> </tbody> </table> <table border="1"> <thead> <tr><th colspan="2">Ice-cream Distribution</th></tr> </thead> <tbody> <tr><td>No. of rossets</td><td>1</td></tr> <tr><td>Ice-cream 1 (ml)</td><td>2500</td></tr> <tr><td>Total volume (ml)</td><td>2500</td></tr> </tbody> </table>		Product Dimensions		A (mm)	140	B (mm)	165	C (mm)	140	L (mm)	175	L1 (mm)	128	Ice-cream Distribution		No. of rossets	1	Ice-cream 1 (ml)	2500	Total volume (ml)	2500	<table border="1"> <thead> <tr><th colspan="2">Product Dimensions</th></tr> </thead> <tbody> <tr><td>A (mm)</td><td>175</td></tr> <tr><td>B (mm)</td><td>280</td></tr> <tr><td>C (mm)</td><td>340</td></tr> <tr><td>L (mm)</td><td>94</td></tr> </tbody> </table> <table border="1"> <thead> <tr><th colspan="2">Ice-cream Distribution</th></tr> </thead> <tbody> <tr><td>No. of rossets</td><td>1</td></tr> <tr><td>Ice-cream 1 (ml)</td><td>5000</td></tr> <tr><td>Total volume (ml)</td><td>5000</td></tr> </tbody> </table>		Product Dimensions		A (mm)	175	B (mm)	280	C (mm)	340	L (mm)	94	Ice-cream Distribution		No. of rossets	1	Ice-cream 1 (ml)	5000	Total volume (ml)	5000
Product Dimensions																																																															
A (mm)	140																																																														
B (mm)	180																																																														
C (mm)	100																																																														
L (mm)	330																																																														
L1 (mm)	130																																																														
Ice-cream Distribution																																																															
No. of rossets	1																																																														
Ice-cream 1 (ml)	5000																																																														
Total volume (ml)	5000																																																														
Product Dimensions																																																															
A (mm)	140																																																														
B (mm)	165																																																														
C (mm)	140																																																														
L (mm)	175																																																														
L1 (mm)	128																																																														
Ice-cream Distribution																																																															
No. of rossets	1																																																														
Ice-cream 1 (ml)	2500																																																														
Total volume (ml)	2500																																																														
Product Dimensions																																																															
A (mm)	175																																																														
B (mm)	280																																																														
C (mm)	340																																																														
L (mm)	94																																																														
Ice-cream Distribution																																																															
No. of rossets	1																																																														
Ice-cream 1 (ml)	5000																																																														
Total volume (ml)	5000																																																														
Code:	GP-0013-5000	C	Code:	GP-0014-5000	D	Code:	GP-0014-5000	E																																																							
Filling:	Filled - 1 color - 4 rossets		Filling:	Filled - 2 colors - 4 rossets		Filling:	Filled - 1 color + topink - 3D robot																																																								
<table border="1"> <thead> <tr><th colspan="2">Product Dimensions</th></tr> </thead> <tbody> <tr><td>A (mm)</td><td>140</td></tr> <tr><td>B (mm)</td><td>260</td></tr> <tr><td>C (mm)</td><td>340</td></tr> <tr><td>L (mm)</td><td>118</td></tr> </tbody> </table> <table border="1"> <thead> <tr><th colspan="2">Ice-cream Distribution</th></tr> </thead> <tbody> <tr><td>No. of rossets</td><td>1</td></tr> <tr><td>Ice-cream 1 (ml)</td><td>5000</td></tr> <tr><td>Total volume (ml)</td><td>5000</td></tr> </tbody> </table>		Product Dimensions		A (mm)	140	B (mm)	260	C (mm)	340	L (mm)	118	Ice-cream Distribution		No. of rossets	1	Ice-cream 1 (ml)	5000	Total volume (ml)	5000	<table border="1"> <thead> <tr><th colspan="2">Product Dimensions</th></tr> </thead> <tbody> <tr><td>A (mm)</td><td>130</td></tr> <tr><td>B (mm)</td><td>280</td></tr> <tr><td>C (mm)</td><td>340</td></tr> <tr><td>L (mm)</td><td>158</td></tr> </tbody> </table> <table border="1"> <thead> <tr><th colspan="2">Ice-cream Distribution</th></tr> </thead> <tbody> <tr><td>No. of rossets</td><td>2</td></tr> <tr><td>Ice-cream 1 (ml)</td><td>2500</td></tr> <tr><td>Ice-cream 2 (ml)</td><td>2500</td></tr> <tr><td>Total volume (ml)</td><td>5000</td></tr> </tbody> </table>		Product Dimensions		A (mm)	130	B (mm)	280	C (mm)	340	L (mm)	158	Ice-cream Distribution		No. of rossets	2	Ice-cream 1 (ml)	2500	Ice-cream 2 (ml)	2500	Total volume (ml)	5000	<table border="1"> <thead> <tr><th colspan="2">Product Dimensions</th></tr> </thead> <tbody> <tr><td>A (mm)</td><td>145</td></tr> <tr><td>B (mm)</td><td>305</td></tr> <tr><td>C (mm)</td><td>340</td></tr> <tr><td>L (mm)</td><td>118</td></tr> </tbody> </table> <table border="1"> <thead> <tr><th colspan="2">Ice-cream Distribution</th></tr> </thead> <tbody> <tr><td>No. of rossets</td><td>1</td></tr> <tr><td>Ice-cream 1 (ml)</td><td>5000</td></tr> <tr><td>Total volume (ml)</td><td>5000</td></tr> </tbody> </table>		Product Dimensions		A (mm)	145	B (mm)	305	C (mm)	340	L (mm)	118	Ice-cream Distribution		No. of rossets	1	Ice-cream 1 (ml)	5000	Total volume (ml)	5000		
Product Dimensions																																																															
A (mm)	140																																																														
B (mm)	260																																																														
C (mm)	340																																																														
L (mm)	118																																																														
Ice-cream Distribution																																																															
No. of rossets	1																																																														
Ice-cream 1 (ml)	5000																																																														
Total volume (ml)	5000																																																														
Product Dimensions																																																															
A (mm)	130																																																														
B (mm)	280																																																														
C (mm)	340																																																														
L (mm)	158																																																														
Ice-cream Distribution																																																															
No. of rossets	2																																																														
Ice-cream 1 (ml)	2500																																																														
Ice-cream 2 (ml)	2500																																																														
Total volume (ml)	5000																																																														
Product Dimensions																																																															
A (mm)	145																																																														
B (mm)	305																																																														
C (mm)	340																																																														
L (mm)	118																																																														
Ice-cream Distribution																																																															
No. of rossets	1																																																														
Ice-cream 1 (ml)	5000																																																														
Total volume (ml)	5000																																																														

\* other product shapes on request